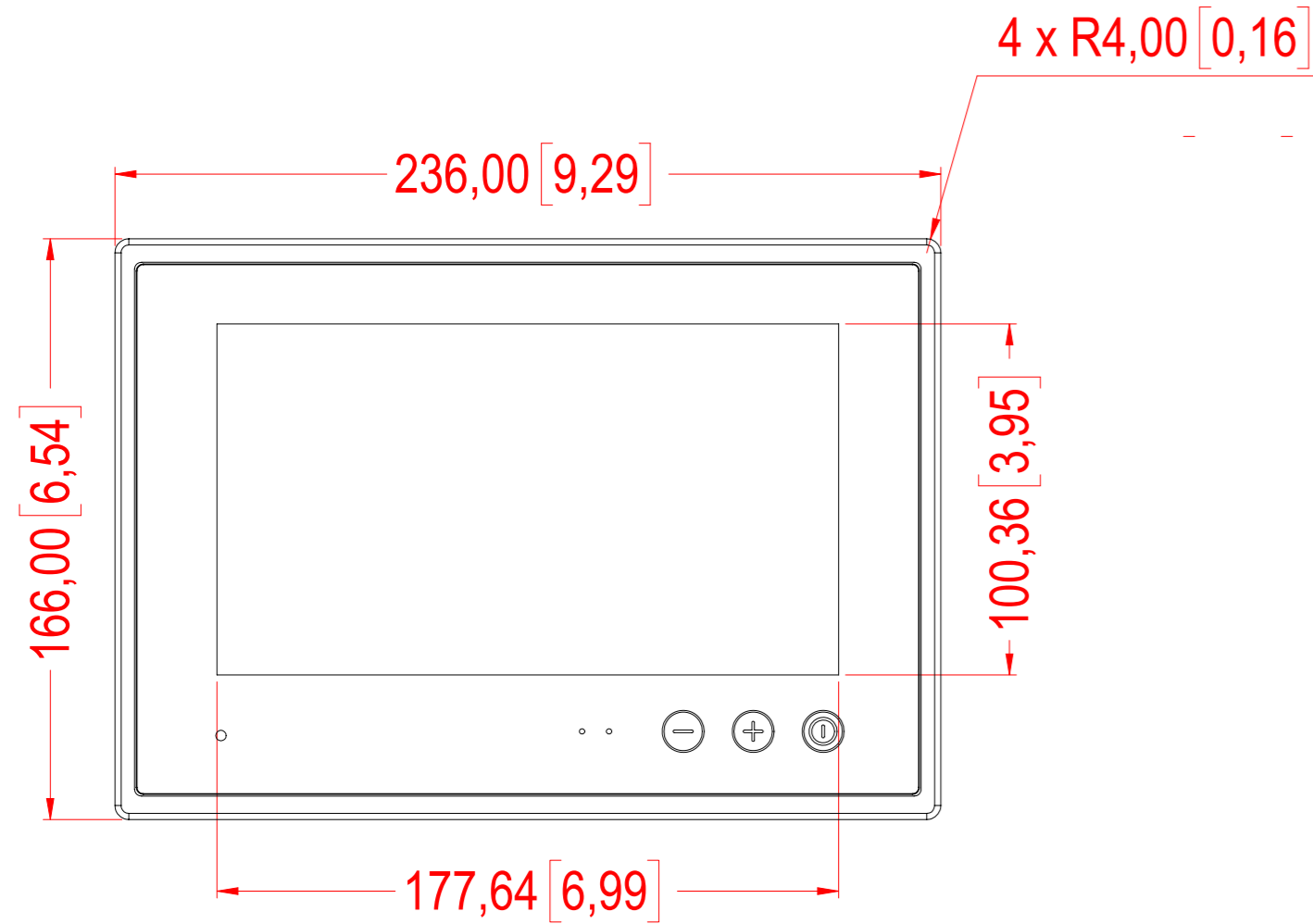
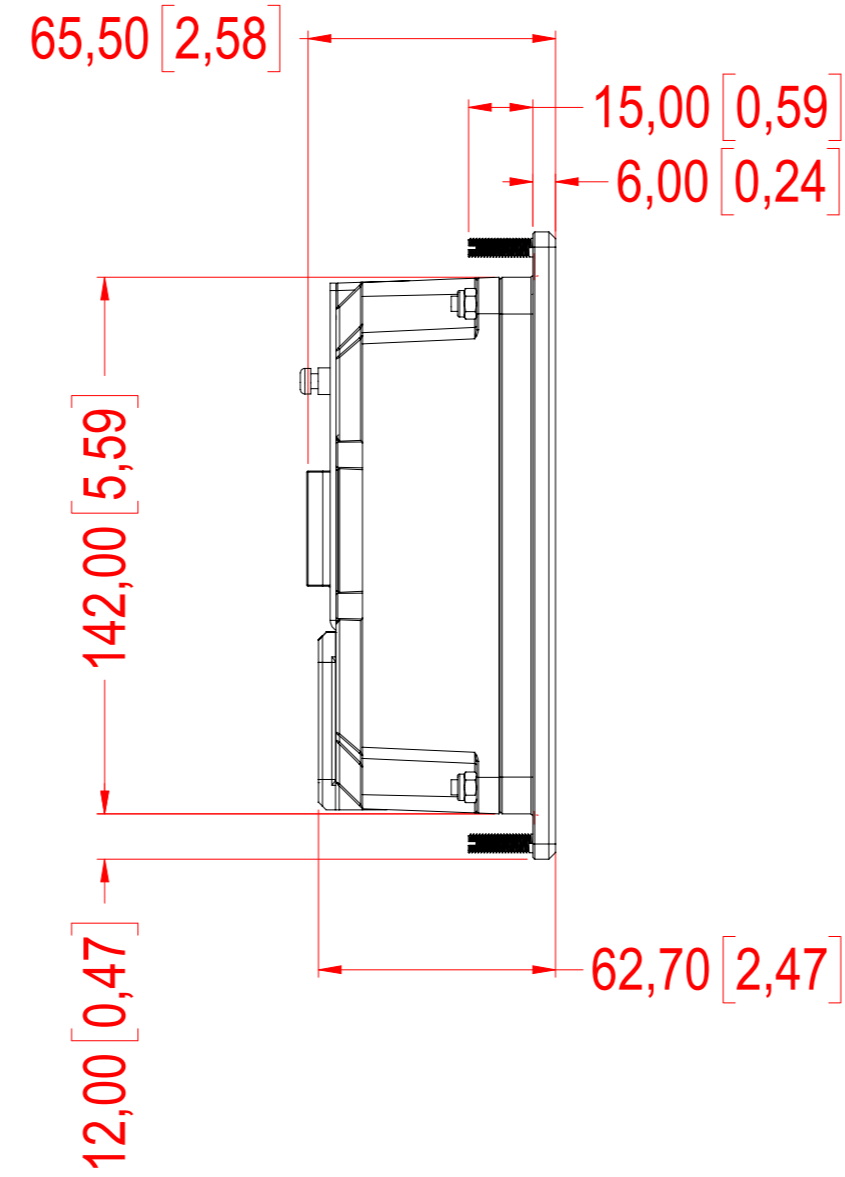


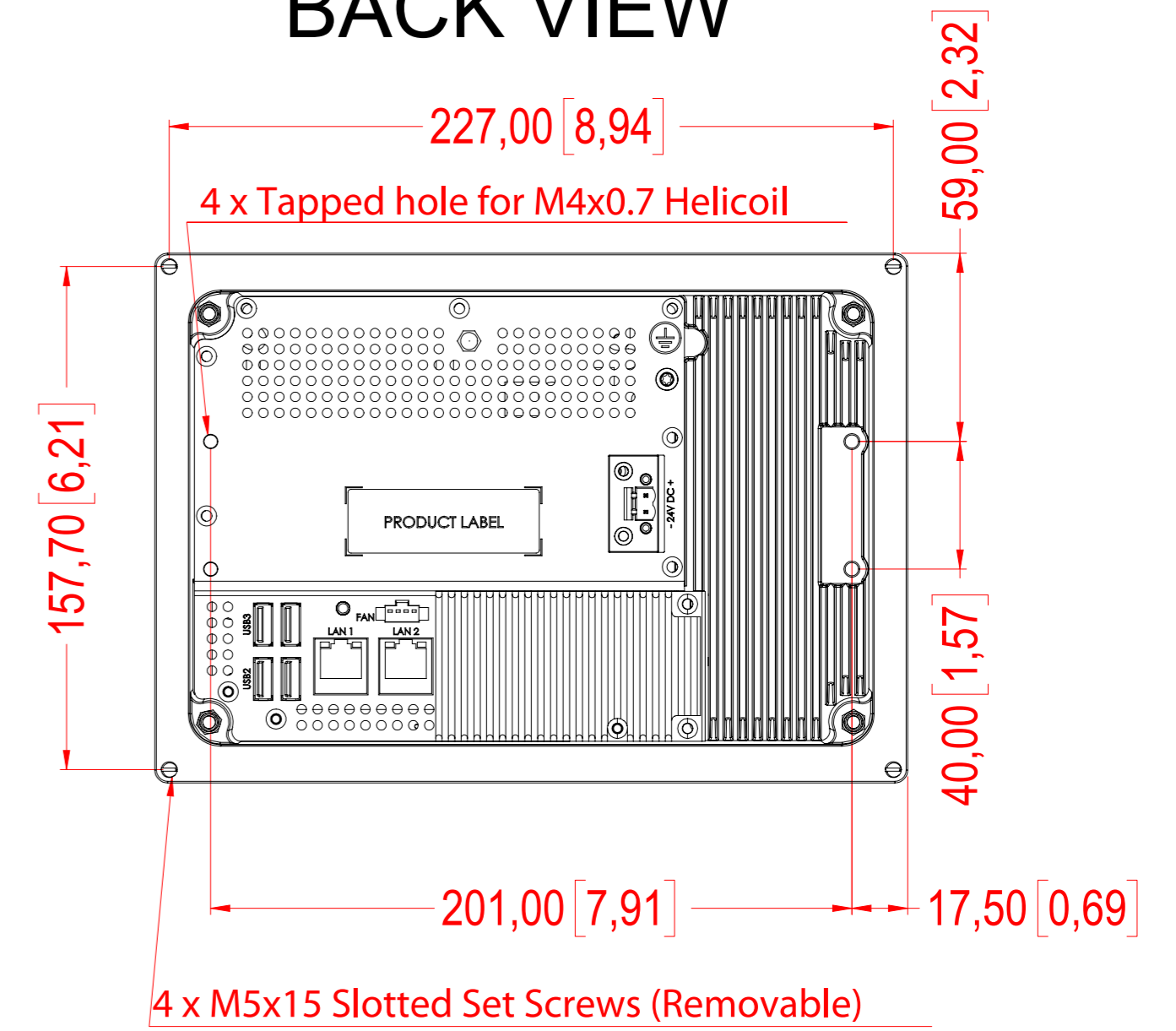
### FRONT VIEW



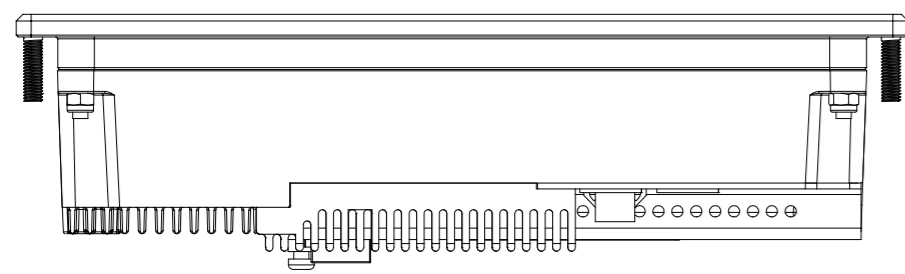
### SIDE VIEW



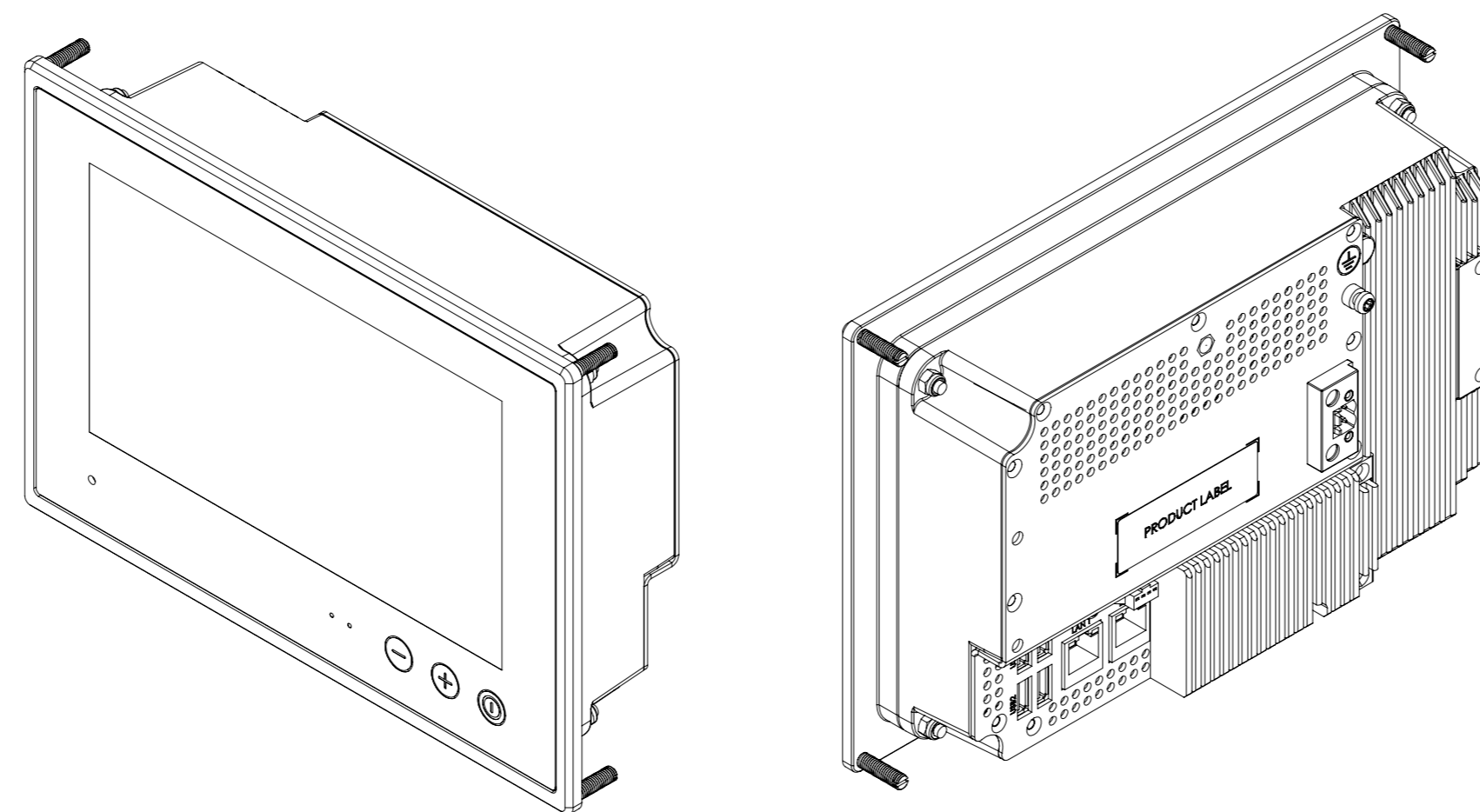
### BACK VIEW



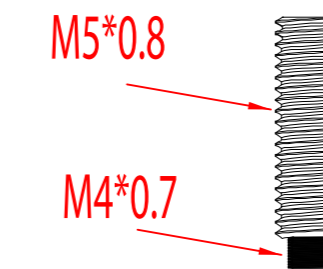
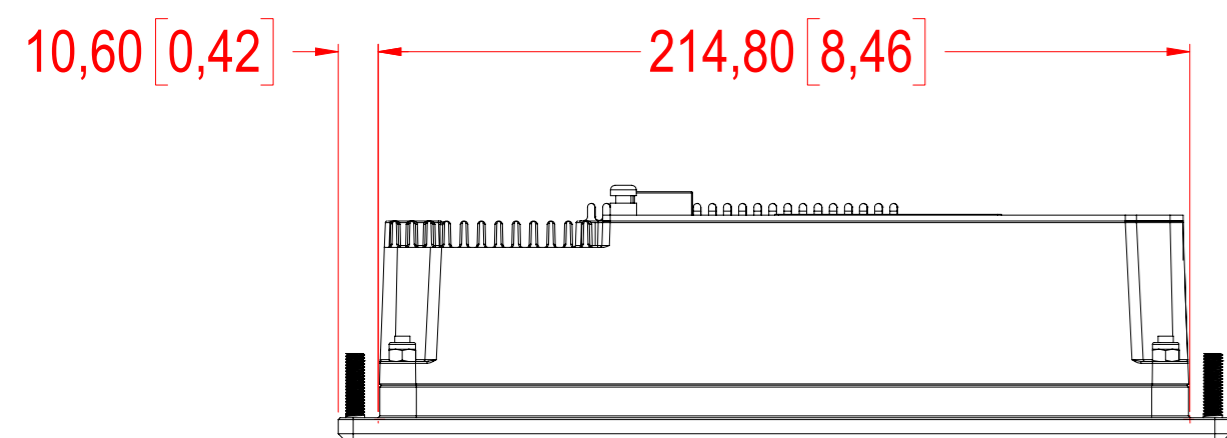
### BOTTOM VIEW



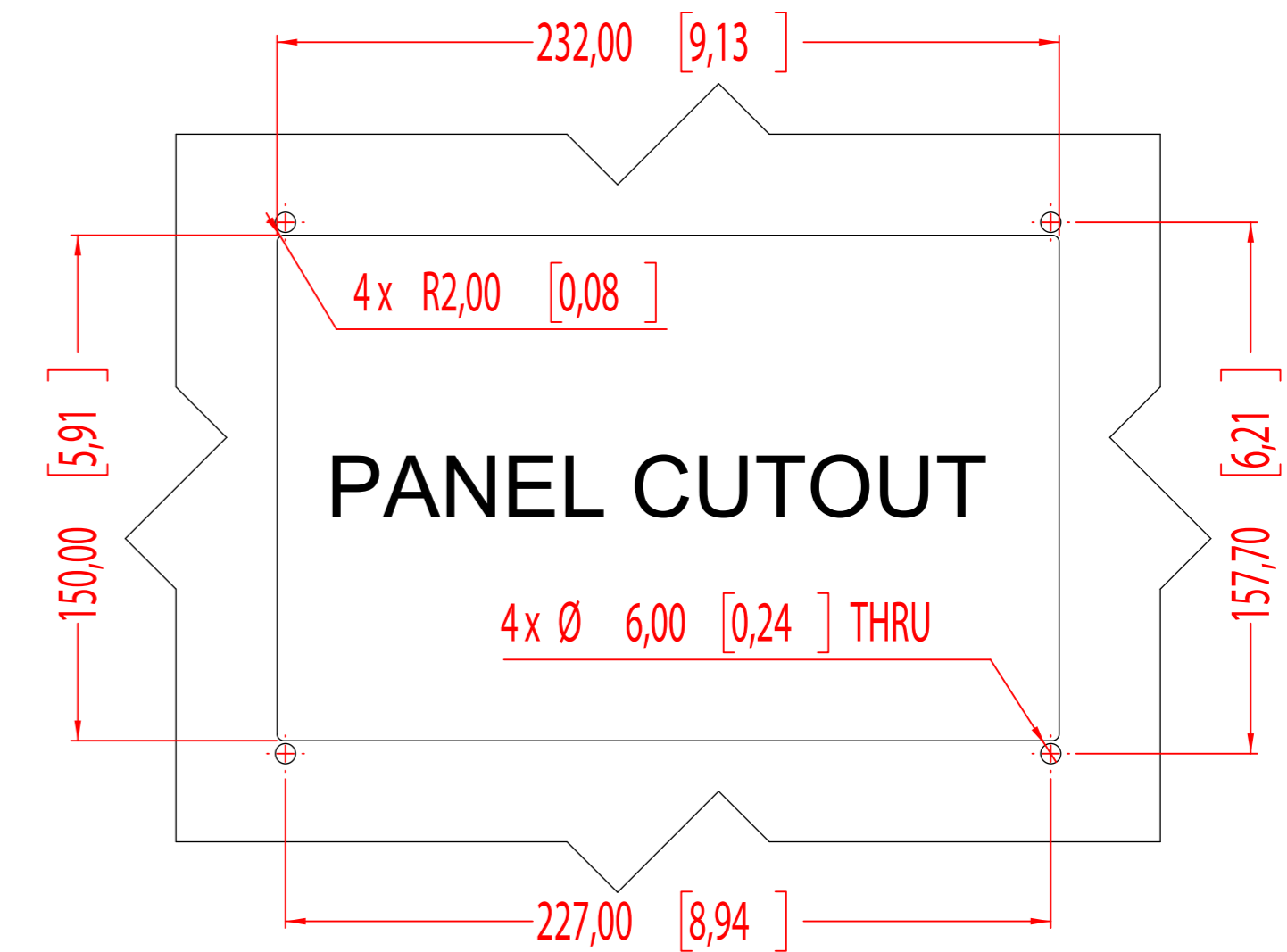
### DIMETRIC VIEWS



### TOP VIEW



### Slotted Set Screw Details



Units: mm [inches]

**SALES DRAWING HD 08T30 MMC-206-AHAEAA - RefroFit HD 08T21**  
 model shown in this drawing, but measurements generally apply for HD 08T30 MMC-2xx-xxxEAx / HD 08T30 MMC-2xx-xxxSAx models

Creation date / by:	05.04.18 / 8744	Projection:	A1	<b>HATTELAND TECHNOLOGY</b> an EMBRON Company	
Last rev. date / by:	/		Scale:	1:2	Approved by:
Hatteland Technology AS Eikeskogvegen 52 N-5570 Akdsdal			Tolerance:	ISO 2768-mK	Revision: 01
				Drawing number:	A011506